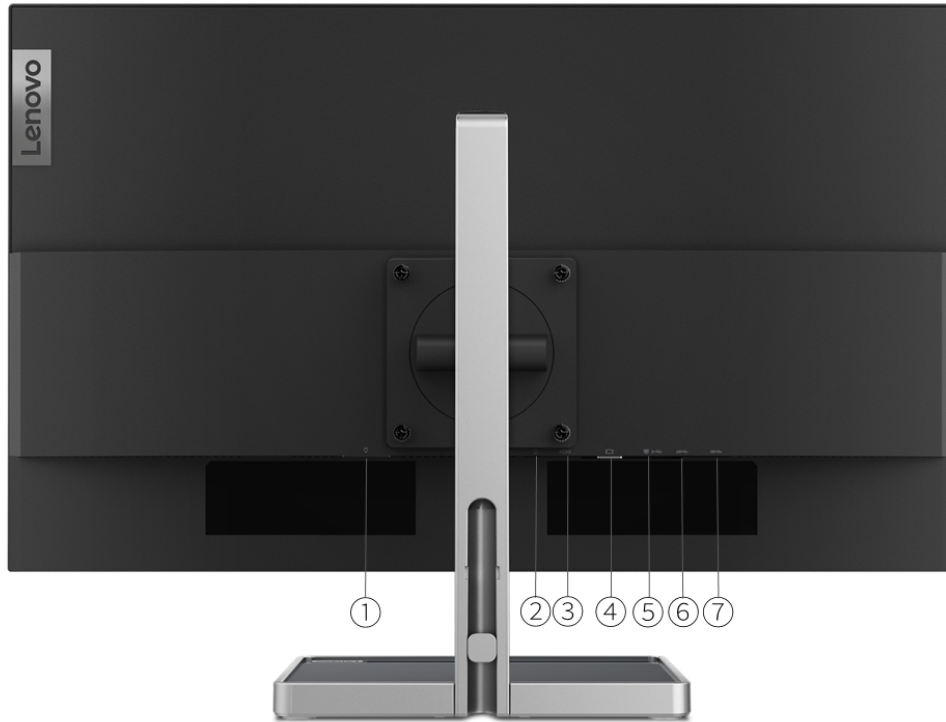


## OVERVIEW



1. Power connector	5. USB-C 3.2 Gen 1
2. Audio-out (3.5mm)	6. 2x USB 3.2 Gen 1
3. HDMI	7. 2x USB 3.2 Gen 1
4. VGA	

## PERFORMANCE

### Panel

#### Panel

3-side NearEdgeless, In-Plane Switching

#### Backlight

WLED

#### Display Size

27 inches

#### Max View Area

Active Area: 597.9 x 336.3 mm

#### Resolution

1920 x 1080

#### Aspect Ratio

16:9

#### Pixel Pitch

0.3114 x 0.3114 mm

#### Dot / Pixel Per Inch

82 dpi

#### Brightness

250 cd/m<sup>2</sup>

#### Contrast Ratio

- Contrast Ratio: 1000:1
- Dynamic Contrast Ratio (Typical): 3000000:1

#### View Angle (H / V)

Horizontal: 178°, Vertical: 178°

#### Response Time

- Extreme Mode: 4 ms
- Normal Mode: 6 ms

#### Refresh Rate

75Hz (HDMI® only)

#### Color Gamut

72% NTSC

#### Color Support

16.7 Million

#### Color Depth

8-bit (6-bit+FRC)

#### Screen Surface Treatment

Anti-glare

### Operating System

#### Operating System

- Windows® 11 Support
- Windows® 10 Support
- Windows® 7 Support

### Multi-Media

#### Camera

- No bundled webcam (Support Lenovo® LC 50 Monitor Webcam, sold separately)
- Lenovo® LC 50 monitor webcam (Some models only)

#### Microphone

- Built-in dual microphone in LC 50 (Models with LC 50 only)

- No microphone

### Speakers

Integrated Speakers, 3W x2

## Power Supply

### Power Consumption

- Typical / Max: 18W / 130W
- Sleep / Off mode: <0.5W
- Switch-off Mode: <0.3W
- Internal Power Supply

### Voltage Required

AC 100 to 240 V (50-60Hz)

## Special Features

### Special Features

- AMD FreeSync™  
AMD FreeSync™ technology only can work with AMD Radeon™ series graphics card.
- Smart Power  
The Smart Power function intelligently detects overall power consumption and dynamically manages the power delivery to each device

## DESIGN

### Mechanical

#### Bezel Width

- Side: 2.5 mm
- Top / Bottom: 2.5mm / 22.35mm

#### Case Color

Raven black

#### Dimensions (WxDxH)<sup>[1]</sup>

Models	Dimensions
Highest Position	612.5 x 214.9 x 564.7 mm (24.11 x 8.46 x 22.23 inches)
Lowest Position	612.5 x 214.9 x 414.2 x mm (24.11 x 8.46 x 16.31 inches)
Unpacked Head Only	612.5 x 43.2 x 367.7 mm (24.11 x 1.70 x 14.48 inches)

#### Packaging Dimensions (WxDxH)

710 x 142 x 509 mm (27.95 x 5.59 x 20.04 inches)

#### Weight<sup>[2]</sup>

Models	Weight
Monitor With Stand	6.1 kg (13.45 lbs)
Monitor Head Only	4.1 kg (9.04 lbs)

#### Packaging Weight

8.4 kg (18.52 lbs)

#### Mounting

Supports VESA mount 100mm

#### Stand

Supports -5° to +22° tilt, left & right 360° swivel, -90° to +90° pivot, up to 150mm lift

#### In the Box

- Monitor with stand
- 1x USB-C® to USB-C® cable (1.8m)
- 1x Power cable (1.8m)
- Quick setup guide

Notes:

[1] The system dimensions may vary depending on configurations.

[2] The system weight is approximate and based on results in Lenovo® lab, which varies depending on the source of component, variance of the distribution of each component, and manufacturing process. It may not be the exact weight for each specific model.

## CONNECTIVITY

### Ports<sup>[1]</sup>

#### Rear Ports<sup>[2]</sup>

- 1x USB-C® 3.2 Gen 1 (DP 1.2 Alt Mode and up to 75W PD), USB upstream
- 4x USB 3.2 Gen 1, USB downstream
- 1x HDMI® 1.4
- 1x VGA
- 1x audio-out (3.5mm)

Notes:

[1] The transfer speed of following ports will vary and, depending on many factors, such as the processing speed of the host device, file attributes and other factors related to system configuration and your operating environment, will be slower than theoretical speed.

USB 2.0: 480 Mbit/s;

USB 3.2 Gen 1 (SuperSpeed USB 5Gbps, formerly USB 3.0 / USB 3.1 Gen 1): 5 Gbit/s;

USB 3.2 Gen 2 (SuperSpeed USB 10Gbps, formerly USB 3.1 Gen 2): 10 Gbit/s;

USB4® 20Gbps / USB 3.2 Gen 2x2 (SuperSpeed USB 20Gbps): 20 Gbit/s;

USB4® 40Gbps (USB 40Gbps): 40 Gbit/s;

Thunderbolt™ 3/4: 40 Gbit/s.

[2] Up to 75W power delivery to compatible devices by USB-C®. Listed as maximum capacity of power delivery. Actual capacity of power delivery may vary depending upon devices connected or monitor configuration, and may decline with downstream USB ports connected or higher brightness setting.

## SERVICE

### Warranty

#### Base Warranty\*\*

- 1-year courier or carry-in service
- 3-year limited warranty

## CERTIFICATIONS

### Green Certifications<sup>[1]</sup>

#### Green Certifications

RoHS compliant

Notes:

[1] The items listed under the "Green Certifications" section may not only refer to certification but also registration or self-declaration. For ESG & regulatory compliance documents, please visit <https://compliance.lenovo.com>.

### Other Certifications

#### Other Certifications

- Eyesafe® Certified
- TÜV Rheinland® Eye Comfort Certification

• Feature with \*\* means that only one option listed under the feature can be configured on selected models. Please refer to the model configuration for specific information.

• Lenovo reserves the right to change specifications or other product information without notice. Lenovo is not responsible for photographic or typographical errors. **LENOVO PROVIDES THIS PUBLICATION "AS IS," WITHOUT WARRANTY OF ANY KIND, EITHER EXPRESS OR IMPLIED, INCLUDING THE IMPLIED WARRANTIES OF MERCHANTABILITY OR FITNESS FOR A PARTICULAR PURPOSE.** Some jurisdictions do not allow

disclaimer of express or implied warranties in certain transactions, therefore this disclaimer may not apply to you.

- The specifications on this page may not be available in all regions, and may be changed or updated without notice.

